

GV-UBL1301 Series 1.3MP H.264 WDR IR Ultra Bullet IP Camera



- 1.3 megapixel progressive scan CMOS
- Dual streams from H.264 and MJPEG
- Up to 30 fps at 1280 x 1024
- Intelligent IR
- Day and Night function (with removable IR-cut filter)
- Wide Dynamic Range (WDR)
- Defog
- Vandal resistance (IK10 for metal casing)
- Ingress protection (IP67)
- One alarm input and sensor output
- Built-in Micro SD (SDHC / SDXC) card slot for local storage
- Motion detection
- Tampering alarm
- Visual automation
- Text overlay
- Privacy mask
- IP address filtering
- DC 5V / PoE
- Megapixel lens
- Supports iPhone, iPad, Android & 3GPP
- 31 languages on Web interface
- ONVIF (Profile S) conformant

* No memory card slot & local storage function for Argentina

Introduction

The Ultra Bullet Camera is a light-weighted cameras designed for outdoor environments. It adheres to the IP67 standard and has full protection against dust and jets of water. The camera is available in various focal lengths to best suit your needs.

Models

Model	Iris	Focal Length (mm)	Maximum Aperture	Image Format
GV-UBL1301-0F	Fixed	3	F/1.6	1/3"
GV-UBL1301-1F	Fixed	4	F/1.6	1/3"
GV-UBL1301-2F	Fixed	8	F/1.6	1/3"
GV-UBL1301-3F	Fixed	12	F/1.6	1/3"
GV-UBL1301-4F (Coming)	Fixed	2.1 mm	F/1.8	1/3"

Active Tampering Alarm

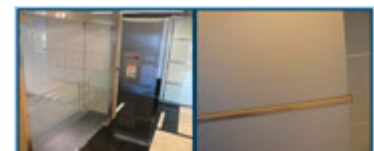
Tampered



Focus Change

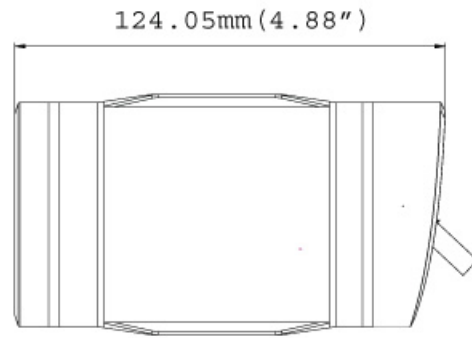
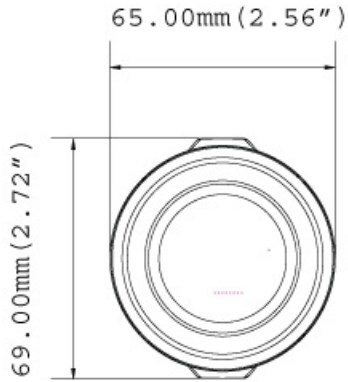


Camera Shift



Overview

• Dimensions



• Panel



Specifications



Camera	GV-UBL1301-0F	GV-UBL1301-1F	GV-UBL1301-2F	GV-UBL1301-3F	GV-UBL1301-4F (Coming)
Image Sensor	1/2.5" progressive scan CMOS "				
Picture Elements	1280 (H) x 1024 (V)				
Minimum Illumination	Color	0.15 Lux at F/1.6			0.15 Lux at F/1.8
	B/W	0 Lux at F/1.6			0 Lux at F/1.8
	IR ON				
Shutter Speed	Automatic, Manual (1/5 ~ 1/8000 sec.)				
White Balance	Automatic, Manual (2800K ~ 8500K)				
Gain Control	Automatic				
S/N Ratio	45 dB				
BLC	Yes				
Lens	GV-UBL1301-0F	GV-UBL1301-1F	GV-UBL1301-2F	GV-UBL1301-3F	GV-UBL1301-4F (Coming)
Megapixel	Yes				
Focal Length	3 mm	4 mm	8mm	12 mm	2.1 mm
Day/Night	Yes (with removable IR-cut filter)				
Lens Type	Fixed Lens				
Maximum Aperture	F/1.6			F/1.8	
Mount	M12				
Image Format	1/3"				
Operation	Focus	Fixed			
	Zoom	Fixed			
	Iris	Fixed			
IR LED Quantity	4 IR LEDs				
Max. IR Distance	10 m (32.81 ft.)				

Operation		
Video Compression		H.264, MJPEG
Video Stream		Dual streams from H.264 and MJPEG
Frame Rate		30 fps at 1280 x 1024 *The frame rate and the performance may vary depending on the number of connections and data bitrates (different scenes).
Image Setting		Brightness, Contrast, Sharpness, Gamma, White Balance, Flicker-less, Image Orientation, Backlight Compensation, Zoom, Focus Change, Shutter Speed, D/N Sensitivity, WDR, Defog
Two-way Audio		No
Video Resolution		
Main Stream	4 : 3	1280 x 960
	16 : 9	1280 x 720
	5 : 4	1280 x 1024
Sub Stream	4 : 3	640 x 480, 320 x 240
	16 : 9	640 x 360, 448 x 252
	5 : 4	640 x 512, 320 x 256
Network		
Interface		10/100 Ethernet
Protocol		HTTP, HTTPS, TCP, UDP, SMTP, FTP, DHCP, NTP, UPnP, DynDNS, 3GPP/ISMA, RTSP, PSIA, SNMP, QoS (DSCP), ONVIF (Profile S)
Mechanical		
Temperature Detector		Yes
Connectors	Power	2-pin terminal block, PoE
	Ethernet	RJ-45
	Digital I/O	I/O Wire
	Local Storage	Micro SD memory card slot (SDHC / SDXC for Class 6 card or above)
General		
Environment Temperature	Start-up	-20°C ~ 45°C (-4°F ~ 113°F)
	Operation	-30°C ~ 45°C (-22°F ~ 113°F)
Humidity		10% to 90% (no condensation)
Power Source		5V DC / PoE
Max. Power Consumption		5.52 W
Dimensions		124 x 65 x 69 mm (4.8" x 2.6" x 2.7")
Weight		730 g (1.6 lb)
Ingress Protection		IP67
Vandal Resistance		IK10 for metal casing
Regulatory		CE, FCC, C-Tick, RoHS compliant
Power over Ethernet		
PoE Standard		IEEE 802.3af Power over Ethernet / PD
PoE Power Supply Type		End-Span
PoE Power Output		Per Port 48V DC, 350mA. Max. 15.4 watts
Web Interface		
Installation Management		Web-based configuration
Maintenance		Firmware upgrade through Web Browser or Utility
Access from Web Browser		Camera Live View, Video Recording, Change Video Quality, Bandwidth Control, Image Snapshot, Digital I/O Control, Picture in Picture, Picture and Picture, Privacy Mask, Visual Automation, Tampering Alarm, Text Overlay, Digital PTZ
Language		Arabic / Bulgarian / Czech / Danish / Dutch / English / Finnish / French / German / Greek / Hebrew / Hungarian / Indonesian / Italian / Japanese / Lithuanian / Norwegian / Persian / Polish / Portuguese / Romanian / Russian / Serbian / Simplified Chinese / Slovakian / Slovenian / Spanish / Swedish / Thai / Traditional Chinese / Turkish
Application		
Network Storage		GV-NVR, GV-System, GV-Backup Center, GV-Recording Server
Smart Device Access		GV-Eye for Android smartphone, tablet, iPhone and iPod Touch GV-Eye HD for iPad
Live Viewing		IE, mobile phone
CMS Server support		GV-Control Center, GV-Center V2, GV-VSM

Note:

1. The signal range and data throughput may vary depending on the network conditions and environmental factors.
2. Specifications are subject to change without notice.

Accessories

Name	Details
 <p>GV-PA191 PoE Adapter</p>	<p>Weight: 130 g (0.29 lb) Dimensions (H x W x D): 43 x 69 x 40 mm (1.69" x 2.72" x 1.57")</p>
 <p>GV-Relay V2</p>	<p>The GV-Relay V2 is designed to expand the voltage load of GV IP devices. It provides 4 relay outputs, and each can be set as normally open (NO) or normally closed (NC) independently as per your requirement.</p>
<p>Power Adapter</p>	<p>Power adapters are available in 4 regions: U.S.A., Australia, U.K and Europe.</p>